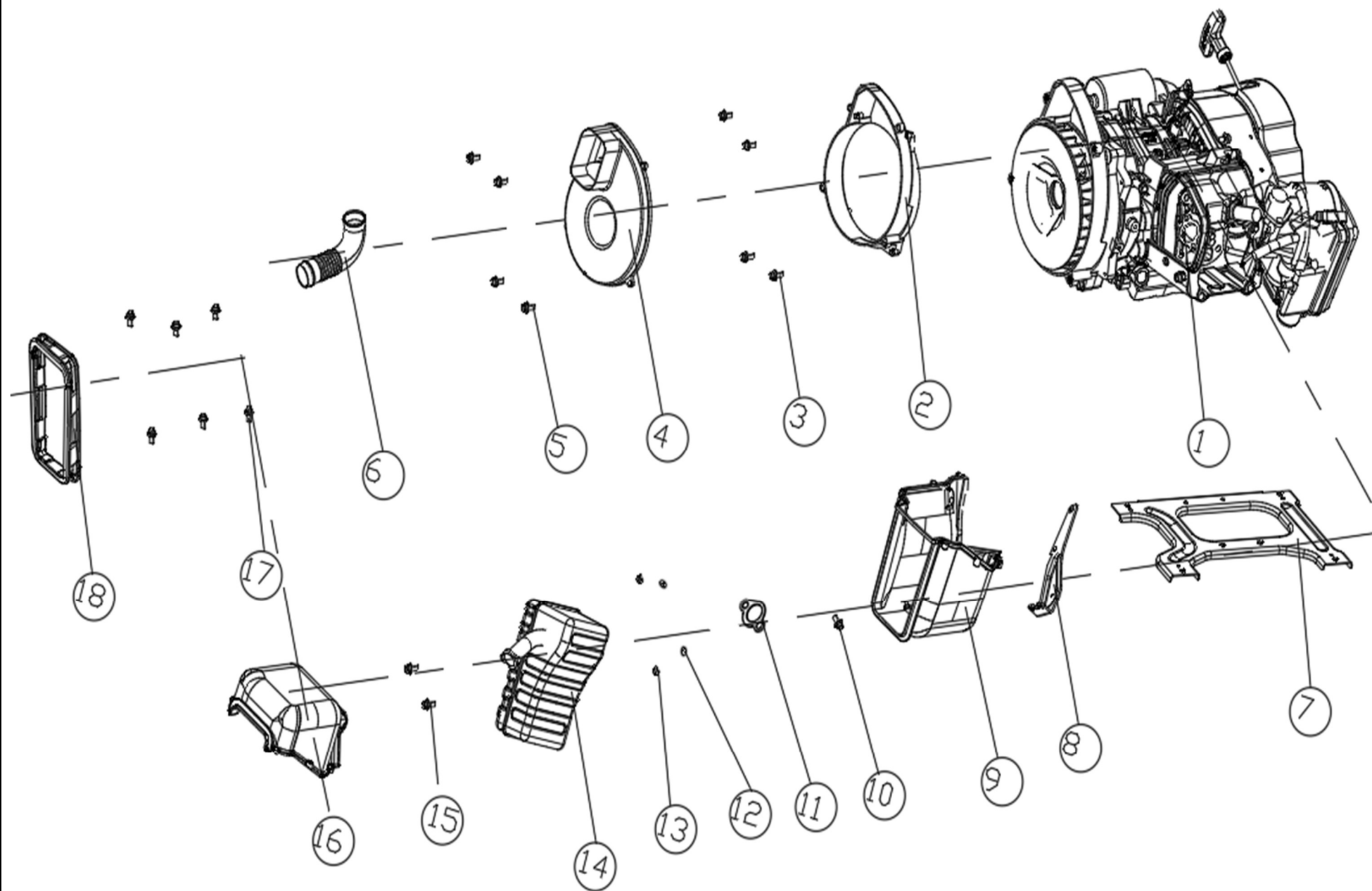
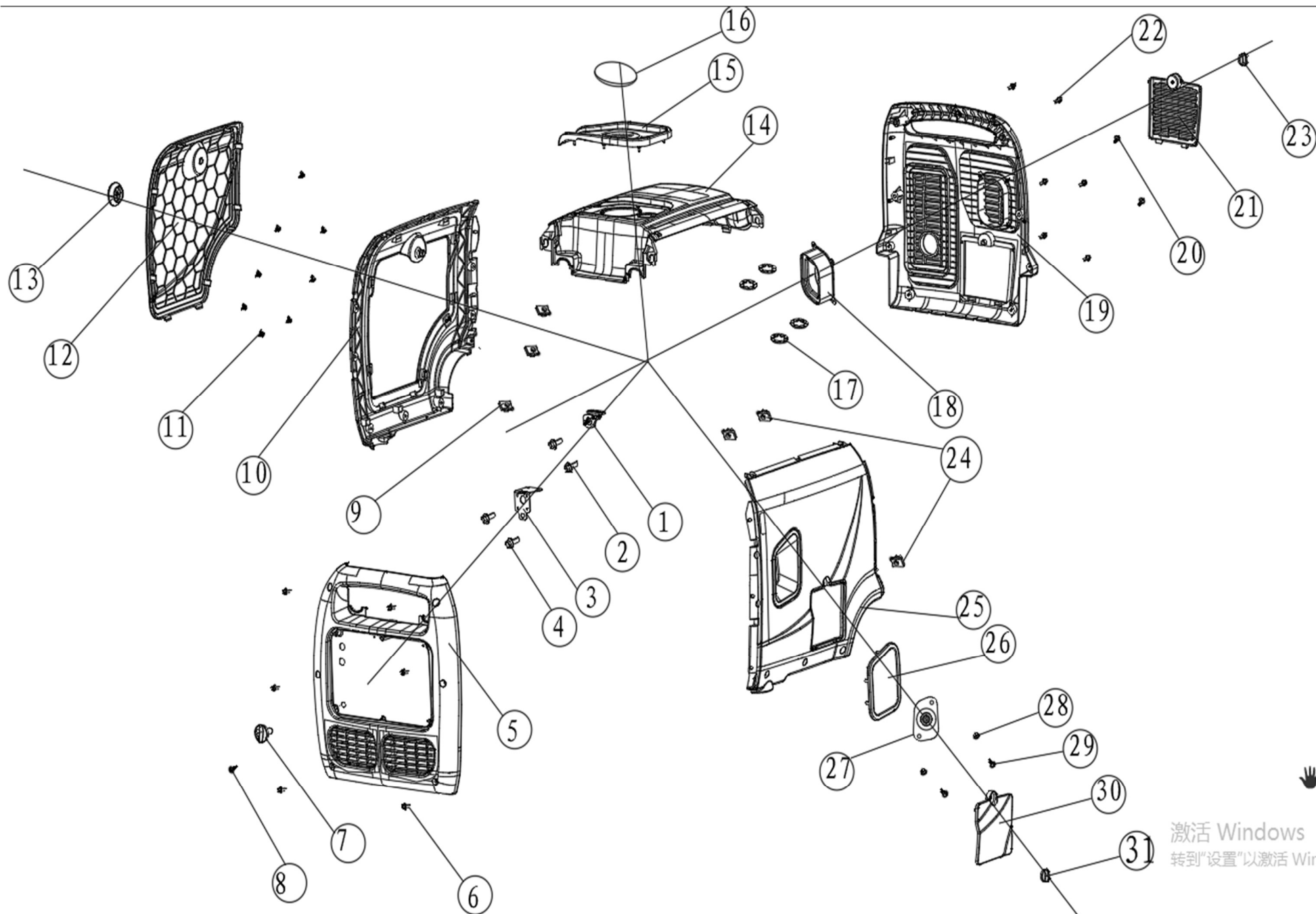


1 Machine core components



NO.	Part NO.	Description			QTY	
		English	Price (USD)		Standard Qty	Demand Qty
1	20260-03021-02	STANDARD QTY-Inverter Power			1	
2	34021-00161-00	Motor air duct			1	
3	30101-00405-00	Hexagon flange bolts			4	
4	33014-00603-00	Motor rear cover			1	
5	30101-00329-00	Hexagon flange bolts			4	
6	/					
7	33089-00077-00	Power support plate			1	
8	33014-00419-00	Support plate			1	
9	33013-00215-00	Muffler exhaust lower cover			1	
10	30101-00407-00	Hexagon flange bolts			1	
11	33048-00210-00	Muffler gasket			2	
12	30139-00036-00	Spring washers			2	
13	30121-00007-00	Hexagonal Flange Nut			2	
14	20202-00522-00	Muffler parts			1	
15	30101-00398-00	Hexagon flange bolts			2	
16	33013-00214-00	Muffler front cover			1	
17	30101-00329-00	Hexagon flange bolts			6	
18	33015-00063-00-	Air outlet rubber sleeve			1	

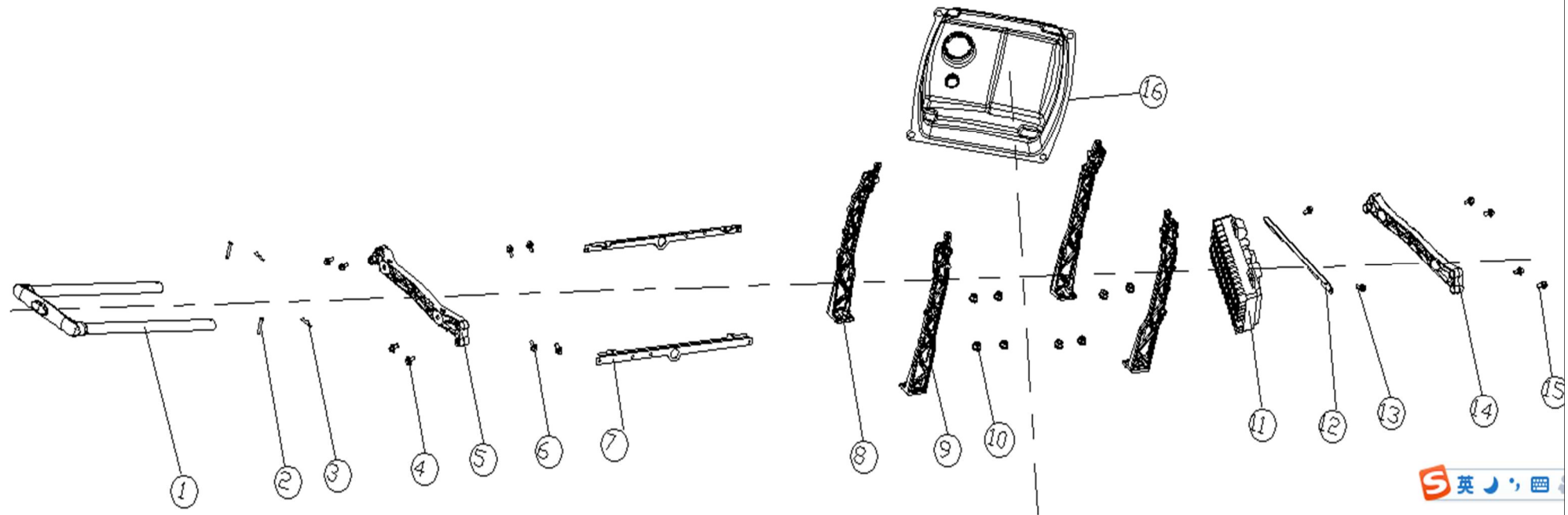
2 Overlay component



NO.	Part NO.	Description			QTY	
		English	Price (USD)		Standard Qty	Demand Qty
1	20133-00035-00	Oil switch			1	
2	30101-00398-00	Hexagon flange bolts			2	
3	33593-00102-00	Fixed plate			1	
4	30101-00329-00	Hexagon flange bolts			2	
5	20114-08164-00	Control panel assembly			1	
6	30101-00341-00	Hexagon flange bolts			6	
7	31026-00119-00	Fuel switch knob			1	
8	30111-00070-00	Cross recessed pan head screws			1	
9	70009-00067-00	Clip nut			3	
10	33013-00212-00	Left housing assembly			1	
11	70009-00317-00	Spring clip			8	
12	33013-00216-00	Maintenance cover assembly				
13	31026-00145-00	Knobs			1	
14	33013-00210-00	Upper shell assembly			1	
15	33015-00064-00	Fuel tank rubber sleeve			1	
16	70009-00068-01	Oil level port transparent block			1	
17	30150-00026-00	Wire retaining ring for hole			4	
18	33015-00073-00	Motor rubber sleeve			1	
19	33013-00159-00	Air outlet cover assembly			1	
20	30111-00088-00	Cross recessed pan head screws			2	
21	33014-00605-00	Battery maintenance cover			1	
22	30101-00341-00	Hexagon flange bolts			6	
23	31026-00144-00	Knob Bolt			1	
24	70009-00067-00	Clip nut			3	
25	33013-00309-00	Right housing assembly			1	
26	33014-00686-00	Start protection circle			1	
27	33593-00106-00	Handle baffle			1	
28	30125-00008-00	Hexagonal Flange Nut			2	

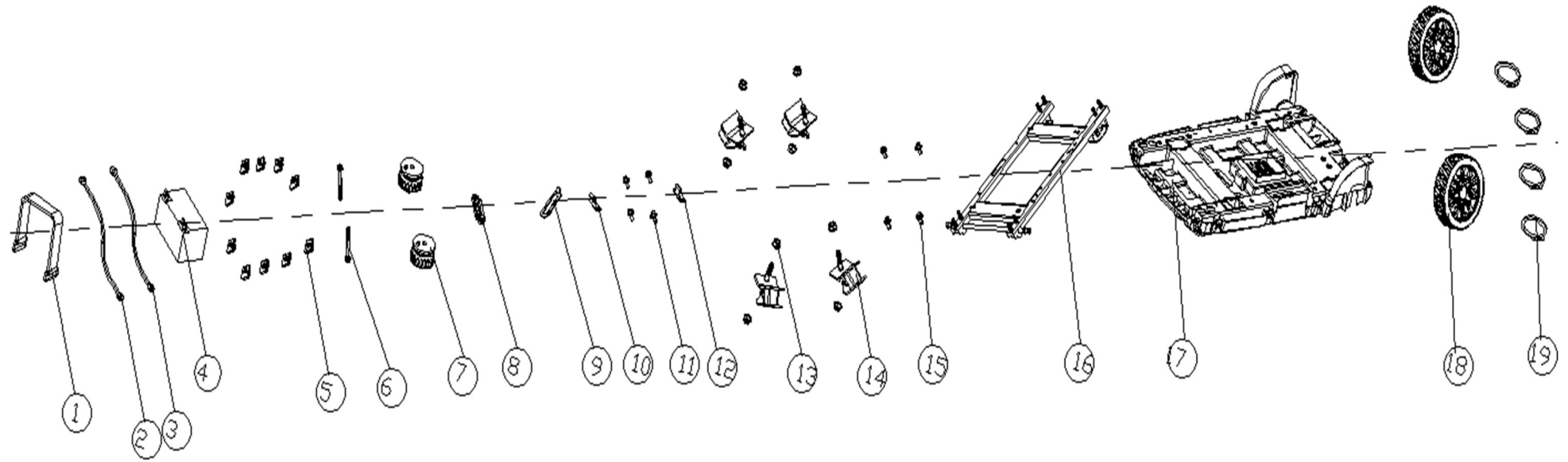
29	30101-00068-00	Hexagon flange bolts			2	
30	33013-00213-00	Oil window cover			1	
31	31026-00144-00	Knobs			1	

3 Rack components



NO.	Part NO.	Description			QTY	
		English	Price (USD)		Standard Qty	Demand Qty
1	20184-00020-00	Tie rod assembly			1	
2	34006-00057-00	Positioning pin			2	
3	34006-00016-00	Dowel pin locking clip			2	
4	30101-00407-00	Hexagon flange bolts			4	
5	33089-00075-00	Tie rod mounting plate			1	
6	30101-00389-00	Hexagon flange bolts			4	
7	34040-00086-00	Fuel tank beam			2	
8	33014-00417-00	Support frame			2	
9	33016-00416-00	Support frame			2	
10	30125-00023-00	Hexagon flange bolts			8	
11	20136-00135-00	Inverter components			1	
12	20114-00174-00	Inverter fixing bracket			1	
13	30101-00398-00	Hexagon flange bolts			2	
14	33089-00111-00	Tie rod mounting plate			1	
15	30101-00407-00	Hexagon flange bolts			4	
16	20130-00422-00	Fuel tank assembly			1	

4 base plate

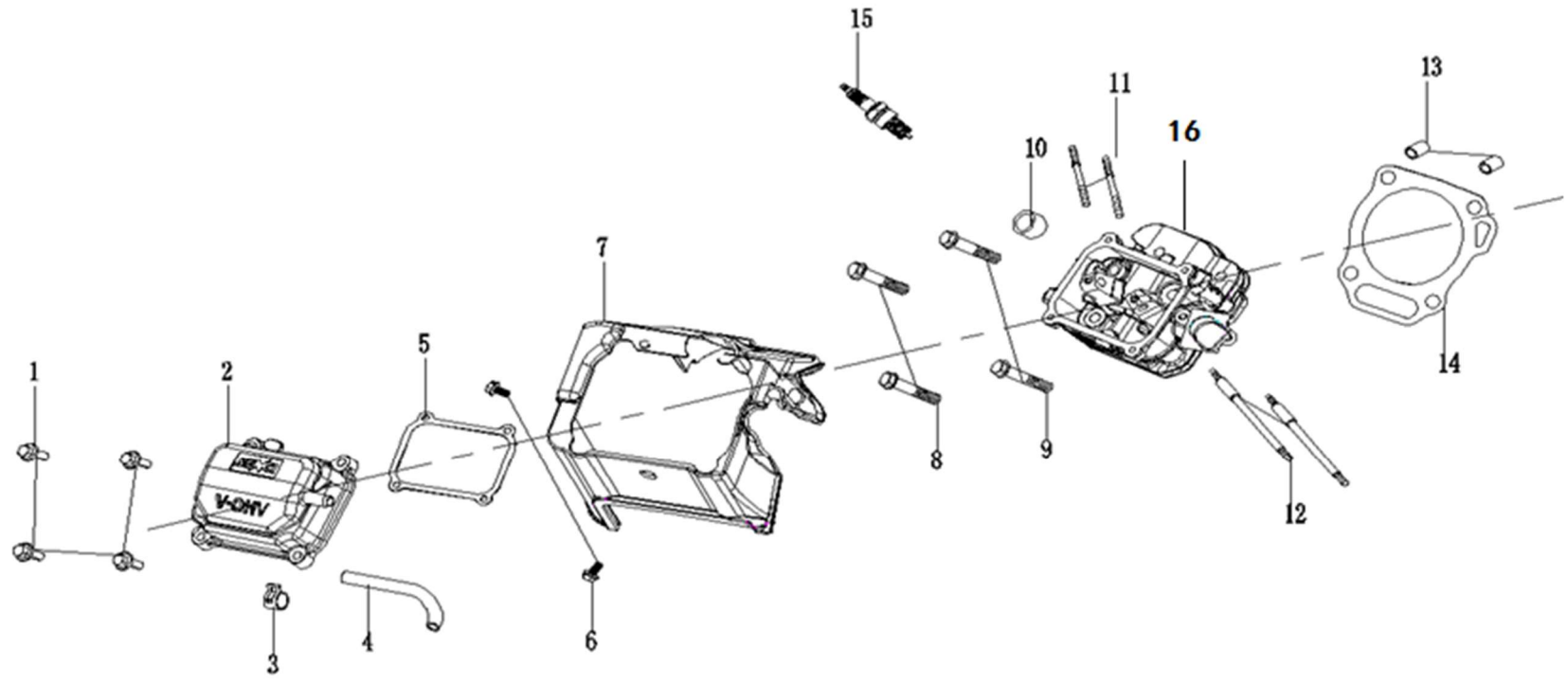


NO.	Part NO.	Description			QTY	
		English	Price (USD)		Standard Qty	Demand Qty
1	70002-02285-00	Battery strap			1	
2	20196-01211-00	Wiring harness components			1	
3	20196-01211-00	Wiring harness components			1	
4	31002-00019-00	Battery			1	
5	34024-00064-00	Clip nut			10	
6	30101-00359-00	Hexagon flange bolts			2	
7	34030-00136-00	Shock-absorbing foot pads			2	
8	33015-00075-00	Sealing rubber sleeve			1	
9	33015-00074-00	Oil port rubber sleeve			1	

10	33593-00070-00	Fixed plate			1	
11	30101-00398-00	Hexagon flange bolts			4	
12	33593-00079-00	Fixed plate			1	
13	30125-00023-00	Hexagonal Flange Nut			8	
14	34030-00101-01	Shock absorber			4	
15	30101-00398-00	Hexagon flange bolts			4	
16	20014-00121-03	Bottom plate bracket			1	
17	33089-00131-00	Power base			1	
18	20134-00135-00	Wheel assembly			2	
19	30150-00045-00	Circlips for shafts			4	

5 engine

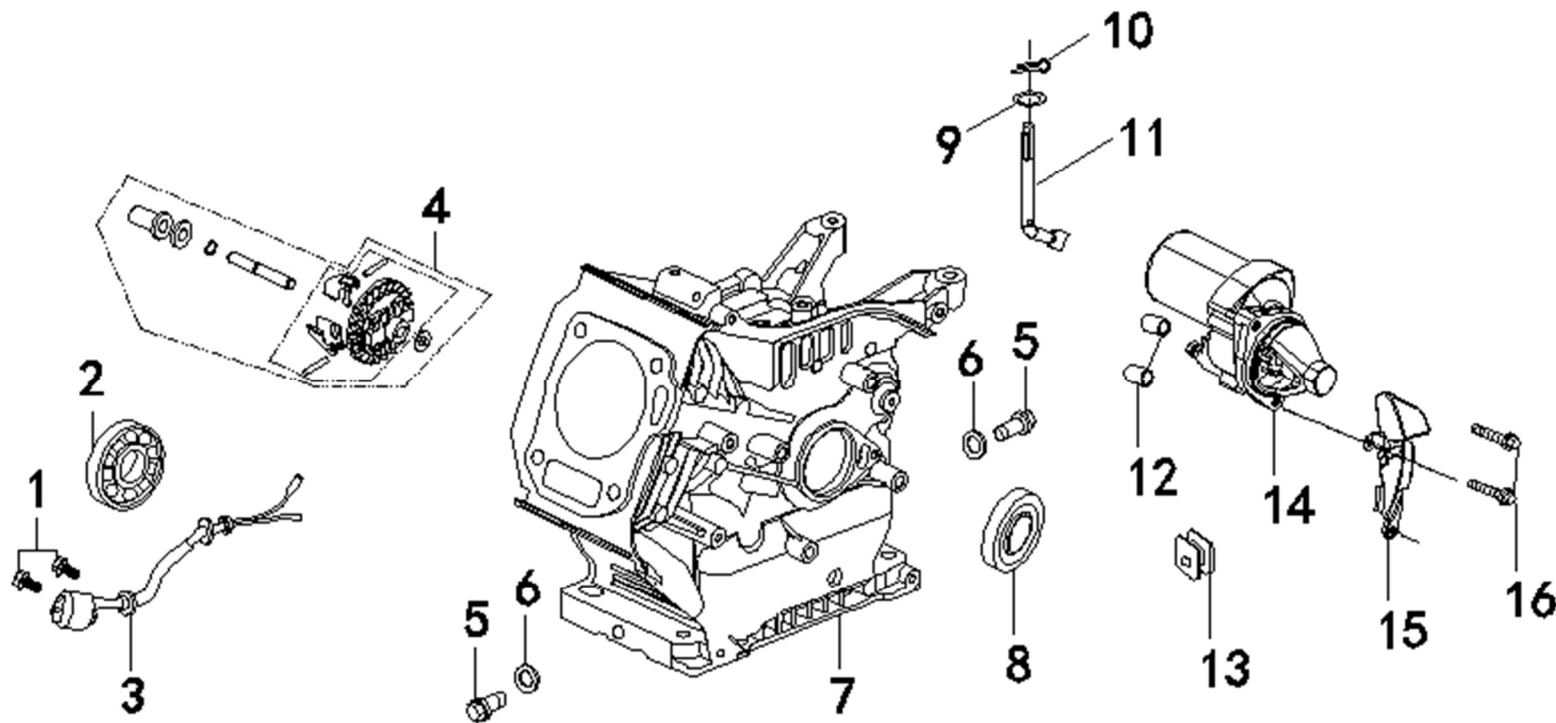
5-1 Cylinder head



NO.	Part NO.	Description		QTY		
		English	Price (USD)	STANDARD QTY		Demand Qty
1	30101-00282-00	Bolt M6×20		4		
2	20021-00015-00	Cylinder head assembly		1		
3	34024-00027-00	Clamp/B12		1		
4	34023-00110-01	Exhaust pipe		1		
5	33048-00025-00	Cylinder head cover gasket		1		
6	30101-00281-00	Hexagon flange bolt M6*12		3		
7	34021-00046-01	Cylinder head air guide cover		1		
8	30101-00469-00	Hexagon flange bolt M8*70		2		
9	30101-00464-00	Hexagon flange bolt M8*50		2		
10	34018-00005-01	Intake valve oil shield		1		

11	30110-00027-01	Exhaust studs		2		
12	30110-00018-00	Inlet stud bolt		2		
13	34006-00009-00	Positioning pin		2		
14	33048-00032-00	Cylinder head gasket		1		
15	20027-00008-00	Spark plug parts		1		
16	20023-00025-00	Cylinder head assembly		1		

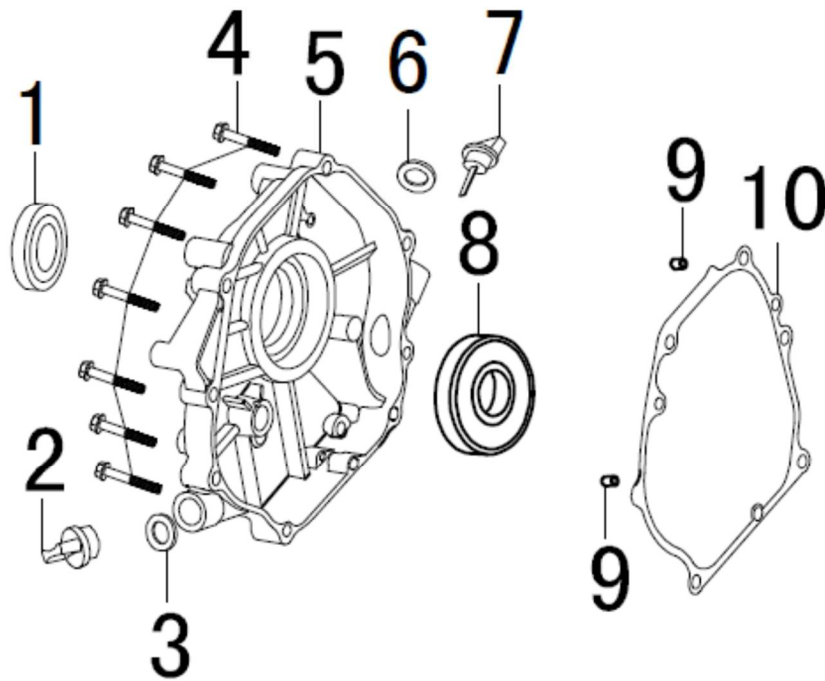
E-02 Crankcase assy



		Description	QTY
--	--	-------------	-----

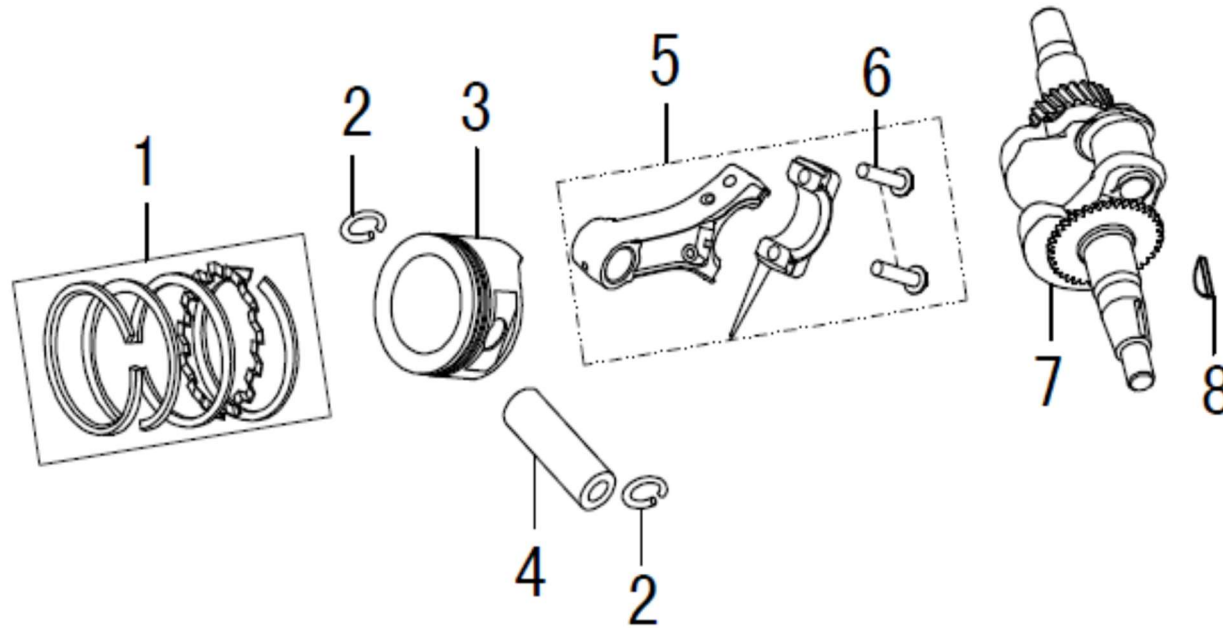
NO.	Part NO.	English	Price (USD)	STANDARD QTY		Demand Qty
1	30101-00342-00	Bolt M6×16		2		
2	30141-00155-00	Bearing TM6205E		1		
3	33247-00026-01	Oil sensor		1		
5	30101-00487-01	Oil drain screw		2		
6	30136-00078-01	Aluminum gasket		2		
7	34011-00117-00	Crankcase		1		
8	34007-00003-01	Oil seal 25×41.25×6		1		
9	/	/		/		
10	/	/		/		
11	/	/		/		
12	34006-00001-00	Positioning pin		1		
14	20149-00075-01	Starter Motor		1		
15	34021-00275-00	Side wind deflector		1		
16	30101-00410-00	Hexagon flange bolts		2		

E-03 Crankcase cover



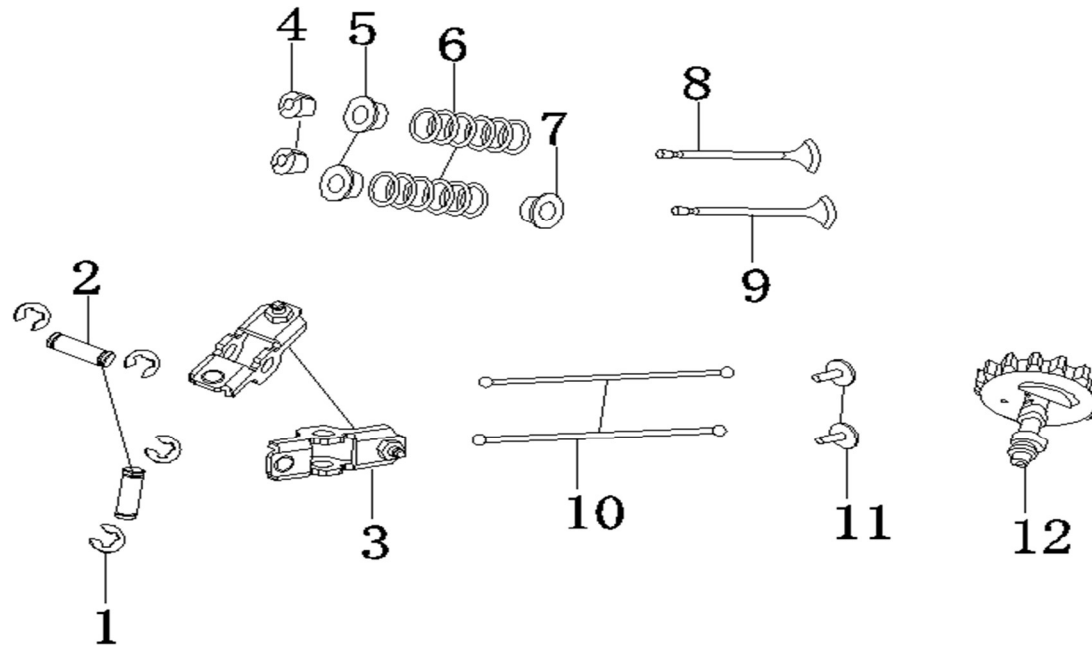
NO.	Part NO.	Description		QTY		
		English	Price (USD)	STANDARD QTY		Demand Qty
1	34007-00003-01	Oil seal $\Phi 25 \times \Phi 41.25 \times 6$		1		
2	20026-00016-02	Oil plug		1		
3	/	/		/		
4	30101-00461-01	Box bolt M8*32		7		
5	33129-00013-00	Crankcase cover		1		
6	/	/		1		
7	20026-00001-02	Oil dipstick		1		
8	30141-00155-00	Bearing TM6205E		1		
9	34006-00001-00	Positioning pin		2		
10	33048-00184-00	Box pad		1		

E-04 Crankshaft piston

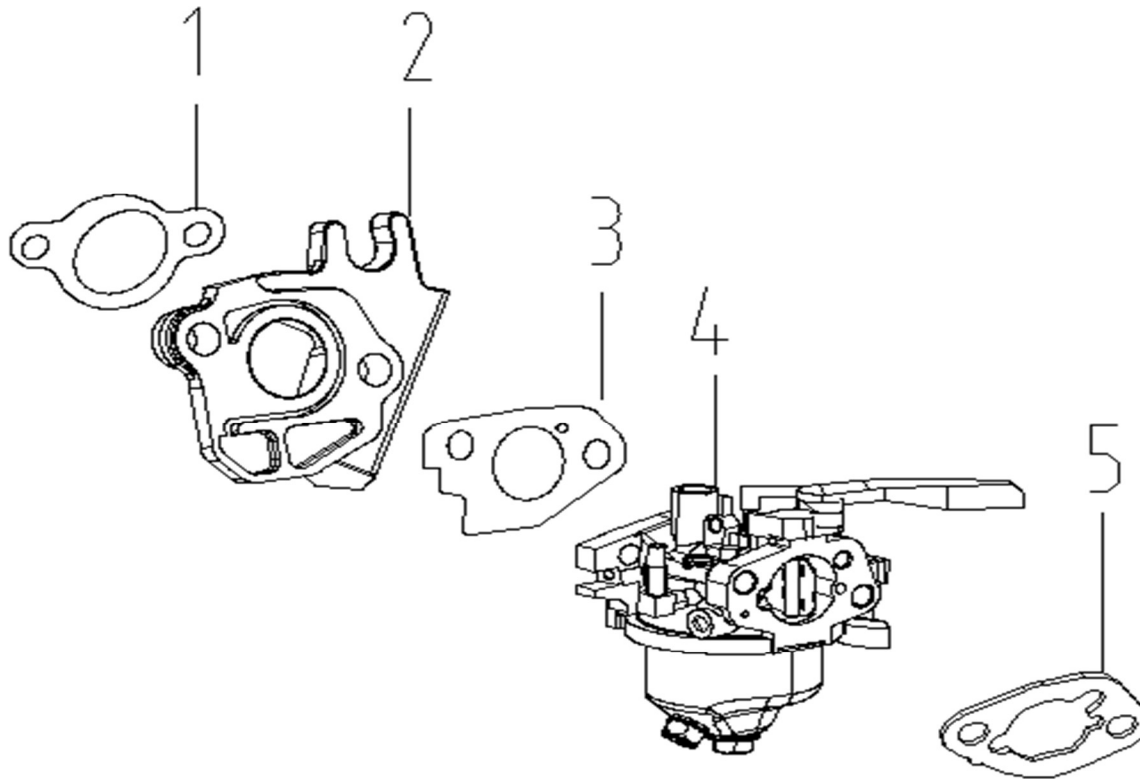


NO.	Part NO.	Description		QTY	
		English	Price (USD)	STANDARD QTY	Demand Qty
1	20084-00005-00	Piston ring assembly		1	
2	30150-00022-00	Piston pin retaining ring		2	
3	34004-00011-00	piston		1	
4	34006-00013-00	Piston pin		1	
5	20008-00005-00	Connecting rod assembly		1	
6	/	Connecting rod big head screw		/	
7	20011-00069-00	Crankshaft assembly		1	
8	20011-00009-04	Woodruff Key		1	

E-05Camshaft

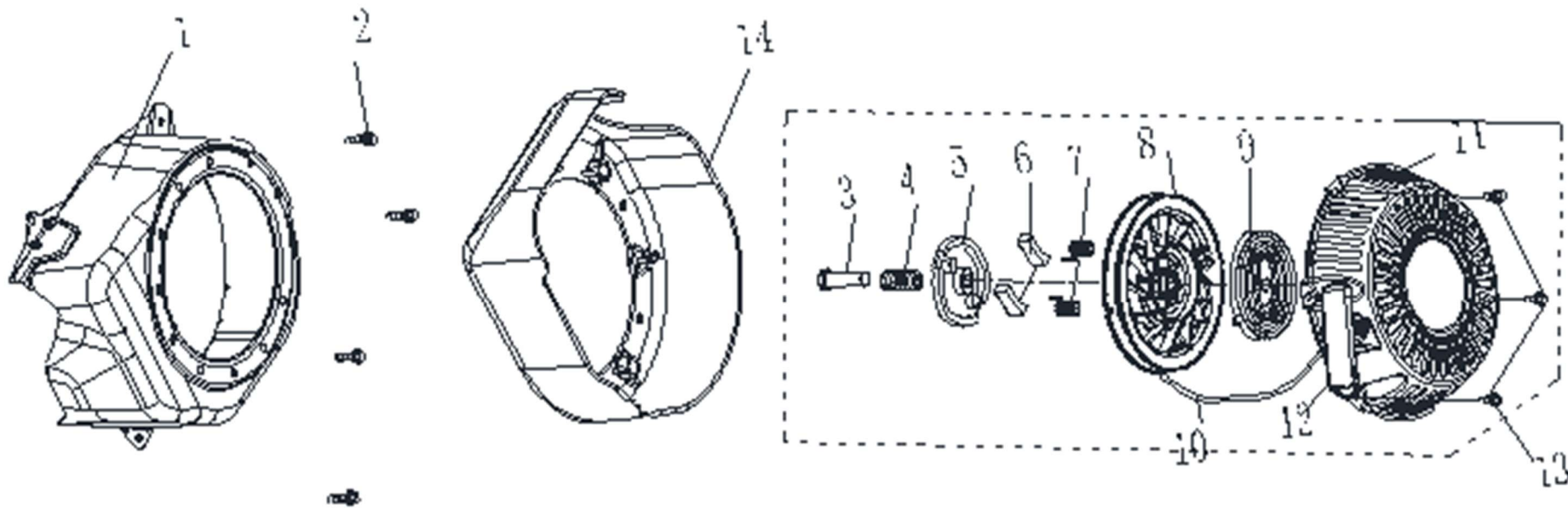


NO.	Part NO.	Description		QTY	
		English	Price (USD)	STANDARD QTY	Demand Qty
1	30150-00028-00	Circlips for shafts		4	
2	30134-00007-00	Rocker shaft		2	
3	34019-00008-00	Valve rocker arm assembly		2	
4	34016-00011-00	Valve lock clip		4	
5	34016-00010-00	Valve spring seat		2	
6	34015-00003-00	Valve spring		2	
7	34018-00005-01	Intake valve oil shield		1	
8	34013-00037-00	Exhaust valve		1	
9	34013-00035-00	Intake valve		1	
10	34020-00007-00	Valve push rod		2	
11	34008-00004-00	Valve tappet		2	
12	20012-00057-00	Camshaft assembly		1	

E-06**Carburetor**

NO.	Part NO.	Description		QTY		Demand
		English	Price (USD)	STANDARD QTY		
1	33048-00051-00	Air inlet gasket		1		
2	34012-00015-01	Carburetor connecting block		1		
3	33048-00076-00	Carburetor gasket		1		
4	20024-00317-00	Carburetor assembly		1		
5	33048-00045-01	Air filter gasket		1		

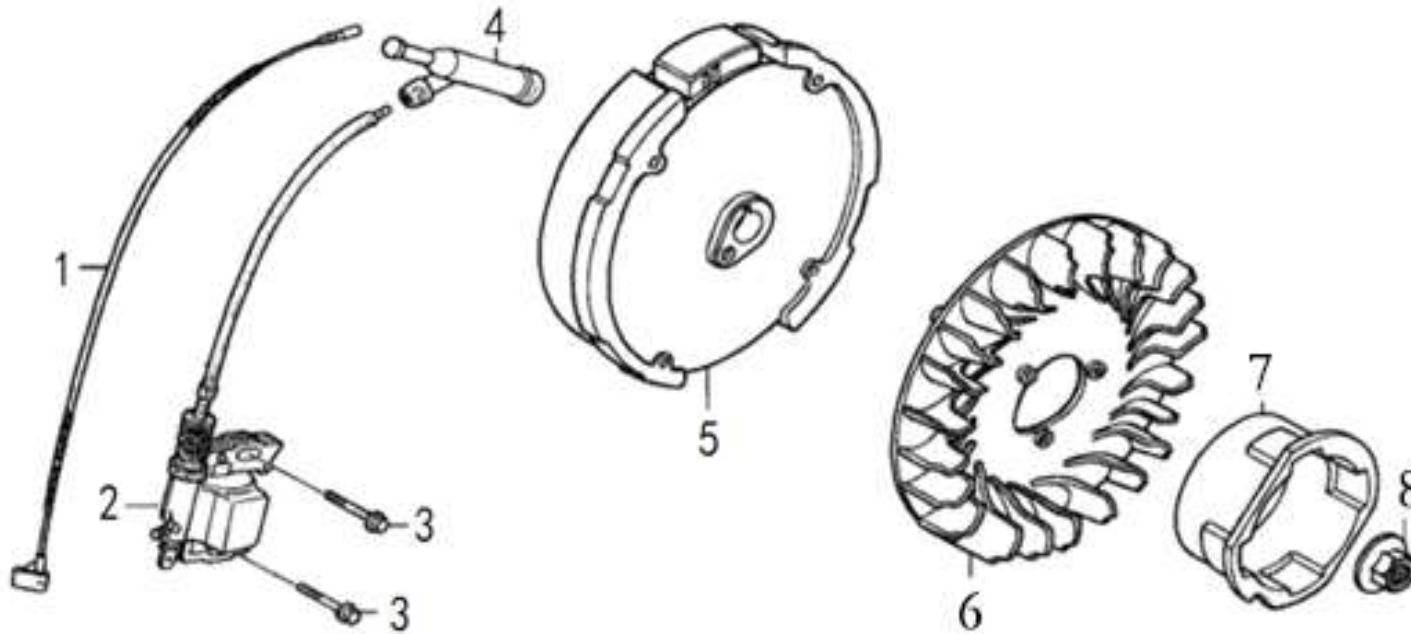
E-07 Recoil starter



NO.	Part NO.	Description			QTY	
		English	Price (USD)	STANDARD QTY		Demand Qty
1	20010-00115-01	Recoil starter cover		1		
2	30101-00281-00	Hexagon bolt M6*12		4		
3	/	Axis screw		1		
4	/	Start spring		1		
5	/	Pawl guide		1		
6	/	pawl		2		
7	/	Return spring		2		
8	/	reel		1		

9	/	Starter coil spring		1		
10	/	Start pull rope		1		
11	20034-00046-01	Starter pull plate		1		
12	20184-00015-01	handle		1		
13	30101-00662-00	Hexagon flange bolt/M6		3		
14	34021-00152-00	Inverter air shroud		1		

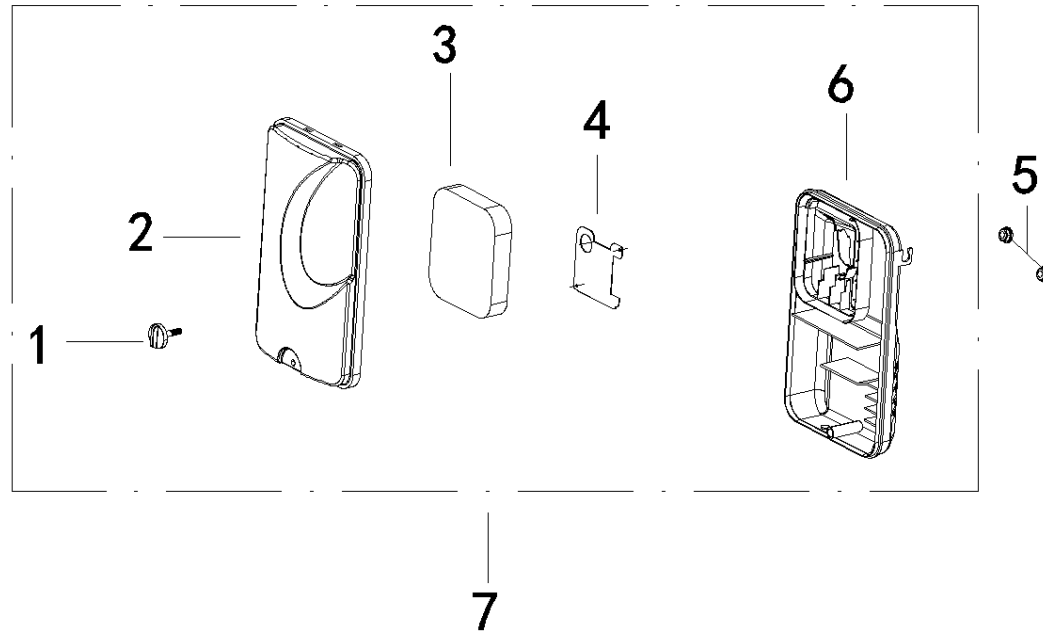
E-9 Flywheel



NO.	Part NO.	Description			QTY	
		English	Price(USD)	STANDARD QTY		Demand Qty
1	/			/		
2	20028-00051-01	Ignition assembly		1		

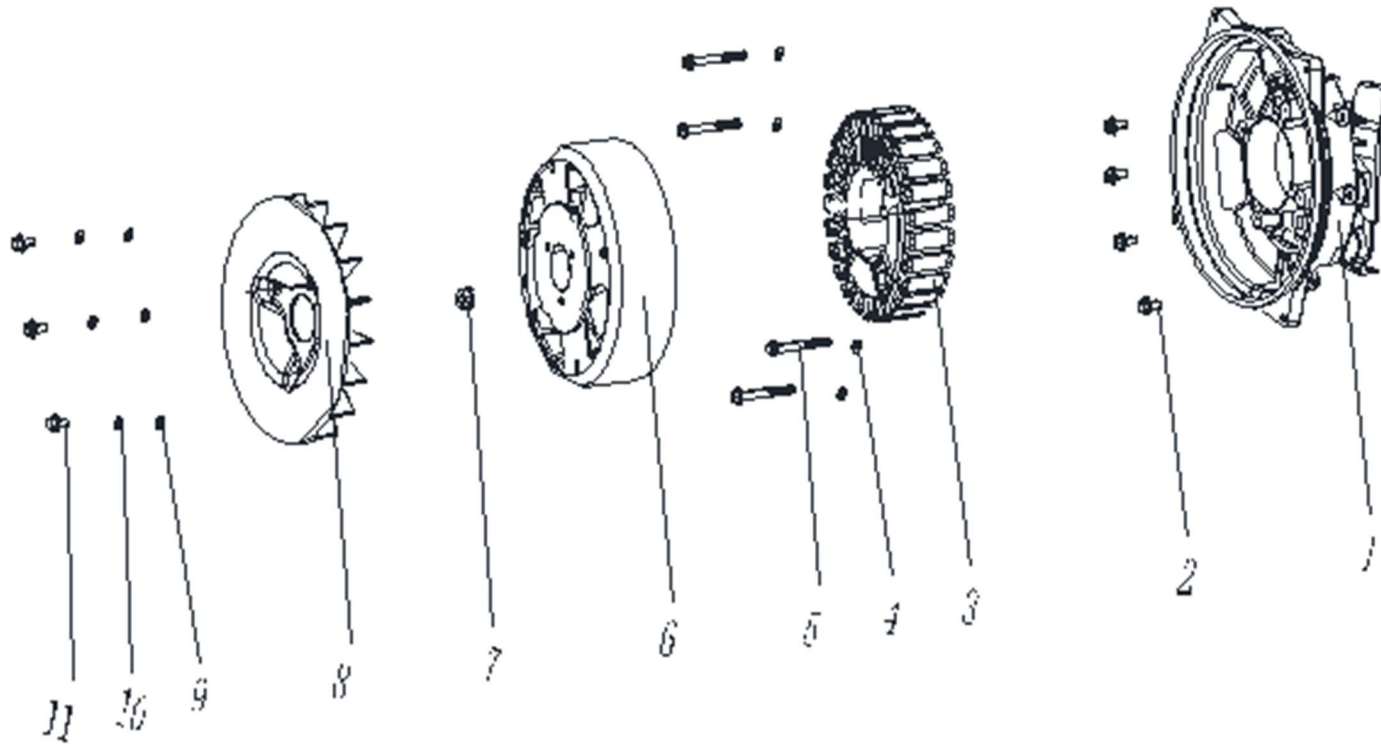
3	30101-00408-00	Bolt M6×25		2		
5	33099-00038-00	Flywheel combination		1		
6	33155-00053-01	fan		1		
7	34022-00031-01	Starter Cup		1		
8	30125-00065-01	Nut M14		1		

E-10 Air cleaner



NO.	Part NO.	Description		QTY		
		English	Price (USD)	STANDAR D QTY		Demand Qty
1	/	bolt		1		
2	/	Air filter cover assembly		1		
3	70002-02766-00	Air filter element		1		
4	/	Metal baffle		1		
5	30125-00002-00	Disc nut		2		
6	/	Seat combination		1		
7	20025-00160-00	Air filter assembly		1		

E-11 alternator



NO.	Part NO.	Description		QTY	
		English	Price (USD)	STANDARD QTY	Demand Qty
1	33191-00140-00	Motor cover		1	
2	30101-00359-00	Hexagon flange bolt/M8		4	
3	20005-00113-00	Motor stator		1	
4	30139-00017-00	Spring washer/ $\Phi 6$ /		4	
5	30113-00105-00	Hexagon socket head screw/M6		4	
6	20006-00068-00	Motor rotor		1	
7	30125-00065-00	Hexagonal flange nut/M14		1	

8	33155-00043-01	fan/		1		
9	30136-00092-00	Rocker washer/ Φ 6		3		
10	30139-00017-00	Spring washer/ Φ 6/		3		
11	30101-00405-00	Hexagon flange bolt/M6		3		